

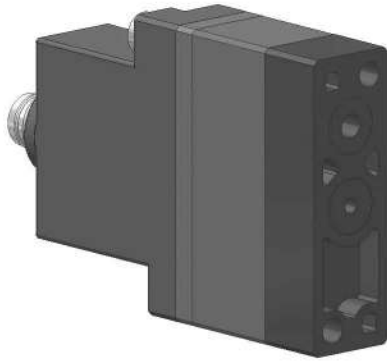
820 ISD Series



Compact High Performance solenoid valve | 2/2
Integrated Speed-up Driver
PNEUMATIC DIVISION

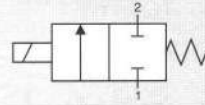
MATRIX
mechatronics

www.matrix.to.it
sales@matrix.to.it



CONTROL: DIRECT PFM PWM

N.1 NC



GENERAL CHARACTERISTICS

FLUID	Non-lubricated dry air, neutral gases(-10 + 50°C)
FILTRATION RATING	Min 40 micron
TEMPERATURE	- 10 + 50°C (Standard version)
RESPONSE TIME IN OPENING	< 2 ms
RESPONSE TIME IN CLOSING	< 2 ms
MAXIMUM FREQUENCY	300 Hz
WEIGHT	25 g
PRODUCT LIFE EXPECTANCY	≥ 500 M/s cycles
IP RATING	IP62

IDENTIFICATION CODE

P	O	X	8	2	1	1	E	0	C	2	YY
---	---	---	---	---	---	---	---	---	---	---	----

• FLOW RATE

M	100 NI/min @ 6 bar
N	140 NI/min @ 6 bar
O	180 NI/min @ 6 bar

• VERSION

D	Manifold mounting
P	Manifold mounting (lightweight)

• No. ELECTRICAL CONTROLS

1	1 control
----------	-----------

• PORT CONNECTION

E	3 poles M8 connector - IP62
----------	-----------------------------

• OUTLETS

1	1 Outlet
----------	----------

• FUNCTION

C	NC
----------	----

• TYPE

2	2/2
----------	-----

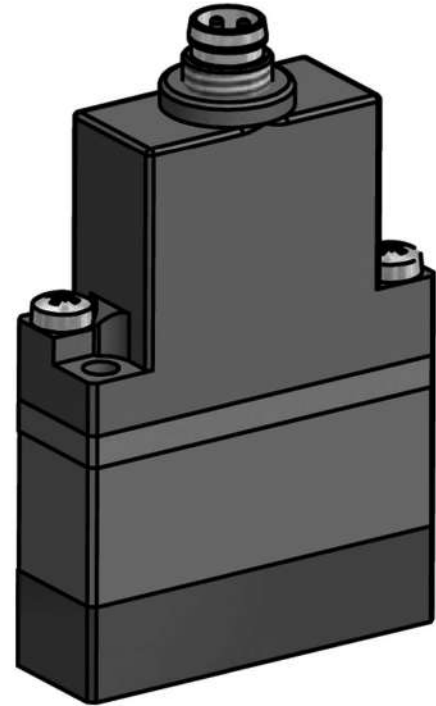
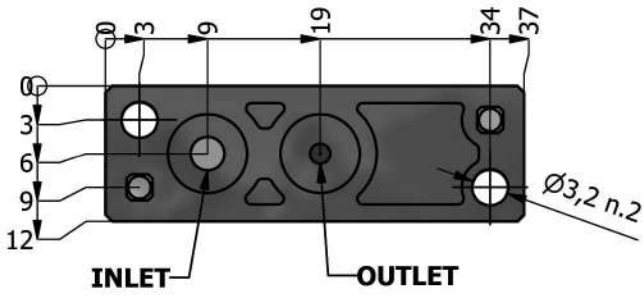
• CONTROL TENSION

YY	24 VDC (0/+10%) integrated speed-up driver	1,3 W
-----------	--	-------

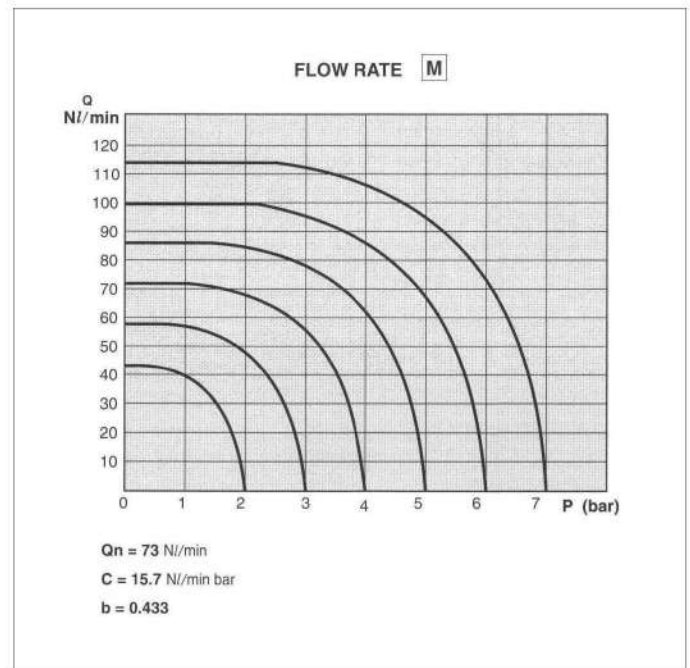
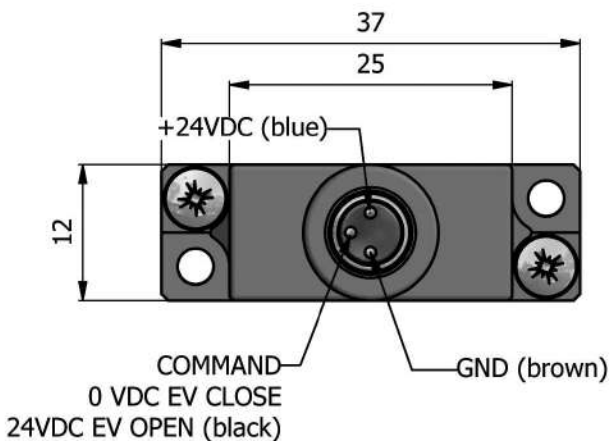
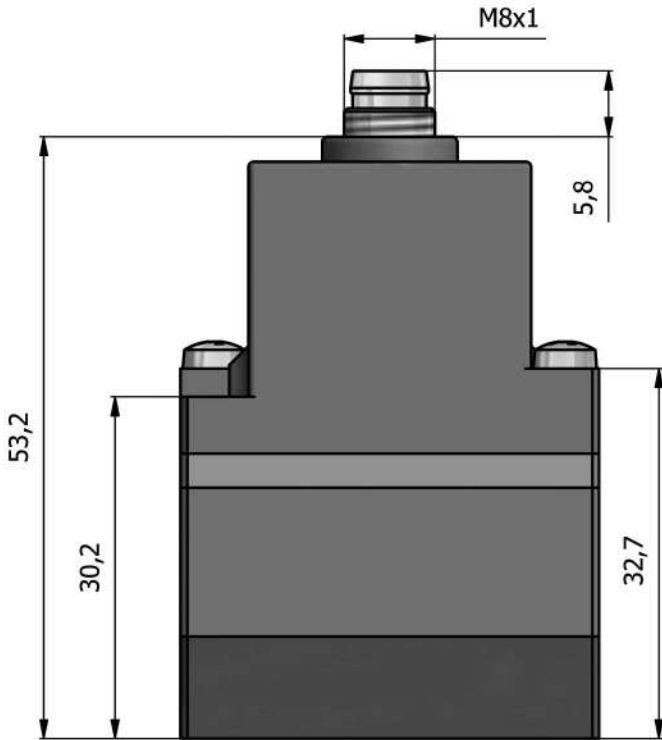
• OPERATING PRESSURE

	RANGE	MODELS
0	2 - 8 bar	YY

Dimensions



(p/n PMX8211E0C2YY shown)



Highlights

Expressly developed for high-density sorting and recycling applications, the compact **820 ISD Series** offers outstanding characteristics in terms of response time and life expectancy. The integrated 24 VDC miniaturized speed-up driver with standard M8 connection grants an extreme simplification of the electronic controller design, ease of installation and an overall improvement of the performances. The innovative magnetic flux design, coupled with the Zero Internal Friction technology allows low power consumption and high reliability features.