

Vane Damper

FYN-S1 Series

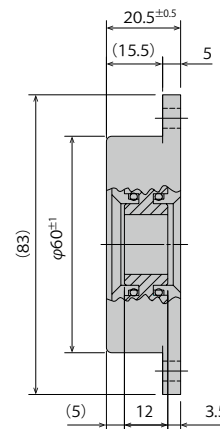
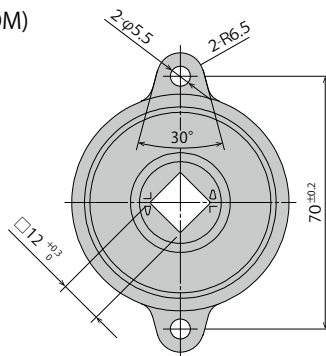


Specifications

Model	Max. torque	Reverse torque	Damping direction
FYN-S1-R104	10 N·m (100 kgf·cm)	1.5 N·m or lower (15 kgf·cm or lower)	Clockwise
FYN-S1-L104			Counter-clockwise

Note) Measured at 23°C ± 2°C

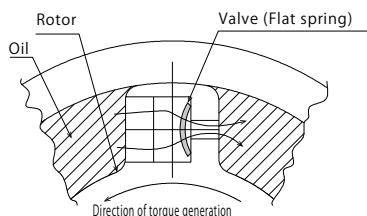
- * Max. angle 130°
- * Operating temperature -5~50°C
- * Weight 220±10g
- * Main body material Zinc die-cast (ZDC)
- * Cap material Zinc die-cast (ZDC)
- * Rotor material Polyacetal (POM)
- * Oil type Silicone oil



How to Use the Damper

1. Operating characteristics of self-adjusting oil pressure dampers

In a conventional vane damper, the damping strength (damping constant) does not change regardless of the load torque used. Because of this, its working speed is slower when the load torque is small, and faster when the load torque is large. However, because the self-adjusting FYN-S1 series is designed to self-adjust the damping force (damping constant) according to the applied load, the working speed fluctuates less compared to conventional dampers when the applied load is altered. The acceptable range of torque is 5 ~ 10N·m. Please select your damper by referring to the motion-time graph below.

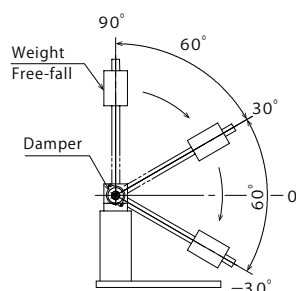
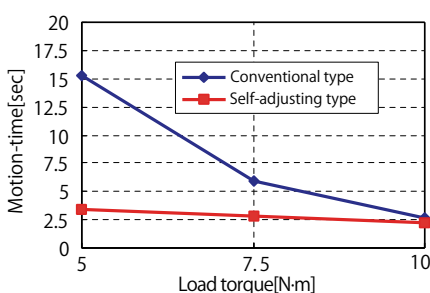


【Operating principles of the self-adjusting type】

As shown in the diagram to the left, by changing the shape of the valve (flat spring), the amount of oil flow is altered, adjusting the damper's generated torque. (PAT.P)

【Measurement conditions for the motion-time graph】

【Motion time graph】

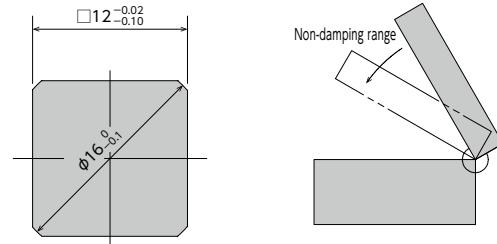


- Load torque T 5~10N·m
- Measured angle 30° ~ -30°
- Measurement temperature 23°C ± 2°C

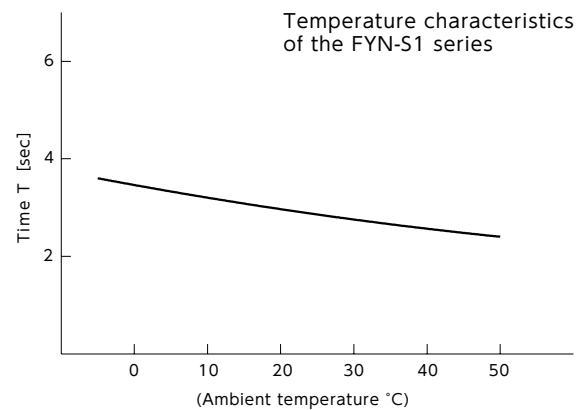
As the level of self-adjustment may vary depending on the range of the working angle of the actual work, please verify under actual working conditions before you select your damper.

●Products specification might be changed without notice.

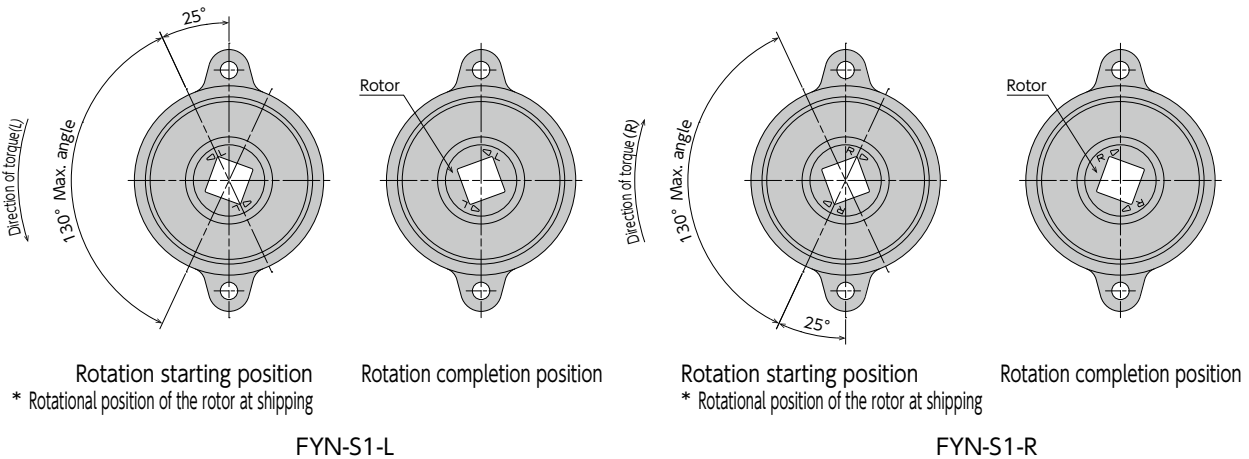
2. When using the damper, please ensure that a shaft with specified angular dimensions is inserted in the damper's shaft opening. Also, please ensure a tight fit between the shaft and the damper shaft's opening. Without a tight fit, the non-damping range becomes larger in a closing motion, etc., and it may not slow down properly. Please see the diagrams to the right for the recommended shaft dimensions for a damper.



3. Damper characteristics vary according to the ambient temperature. In general, the damper characteristics become weaker as the temperature increases, and become stronger as the temperature decreases. This is because the viscosity of the oil inside the damper varies according to the temperature. When the temperature returns to normal, the damper characteristics will return to normal as well. The time it takes for the lid to close is shown in the graph to the right.



4. The damper's working angle is 130°, as shown below. Rotating the damper beyond this angle will cause damage to the damper. Please ensure that an external stopper is in place.



5. Because the FYN-S1 series is a self-adjusting type, the torque cannot be adjusted manually. However, by altering the viscosity of the oil, its damper characteristics can be modified. (Please contact us, as this is a custom order.)

6. The direction in which torque is generated varies according to the model. Please select the appropriate model for your purpose.