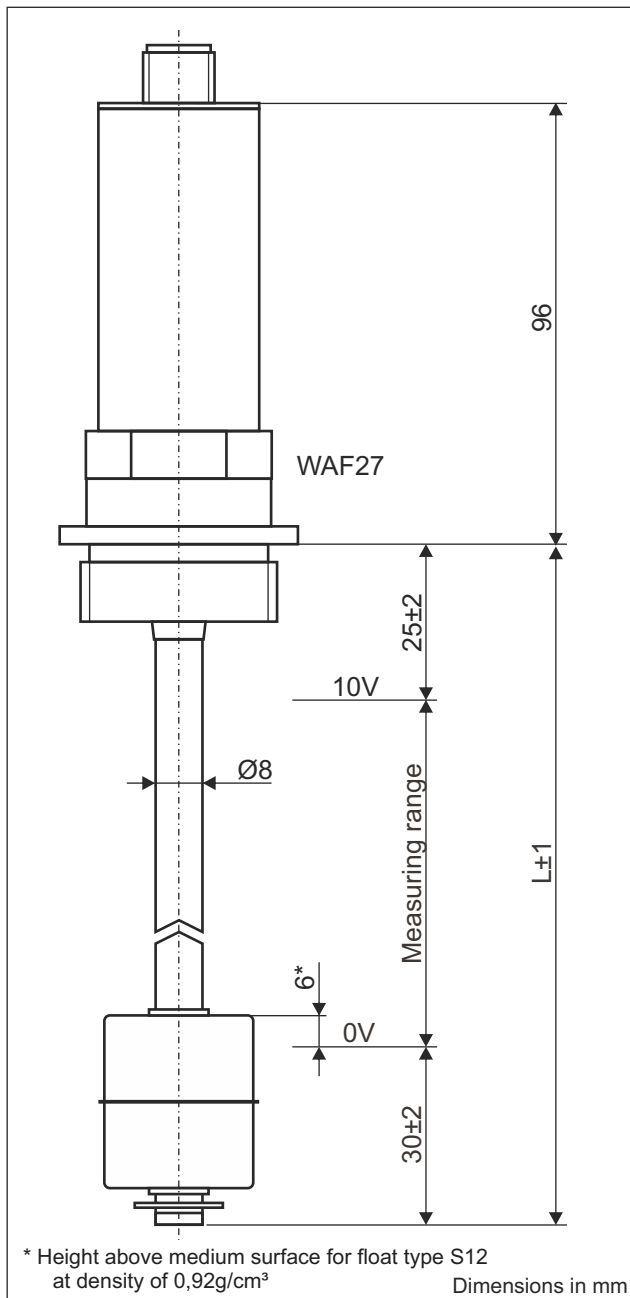


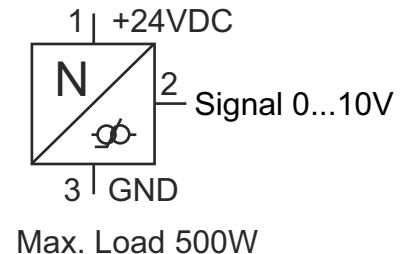
Data sheet

Analogue level measuring 0...10V

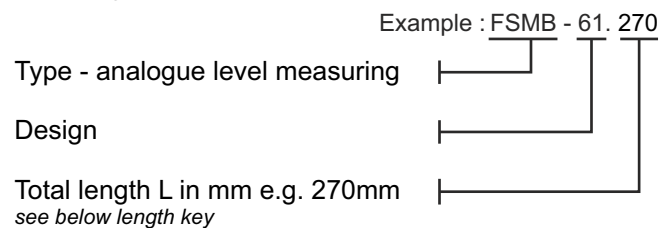
Type: FSMB-61



Terminal diagram



Order key



Length key

Length: L in mm	Measuring range in mm
92	37
129	74
148	93
168	113
182	127
206	151
214	159
237	182
270	215

Technical data

Connection:	plug-type connector M12x1, 4-pole, material TPU on alu housing ø27mm
Mounting:	thread 1", material stainless steel
Tube:	ø8mm, length L±1mm according to specification, material stainless steel
Float:	ø27x31mm, material stainless steel, type S12
Function:	magnetostrictive measuring principle, output signal 0...10V measuring range
Resolution:	0,1mm
Nonlinearity:	±0,15mm
Repeatability:	25µm in measuring range
Measuring range:	0...10V over a length of L - 54mm = measuring range
Pressure:	max. 1 bar
Operating temperature:	-20°C to 100°C in medium, -20°C to 70°C above mounting
Protection rating:	IP 65

Other designs and materials available on request

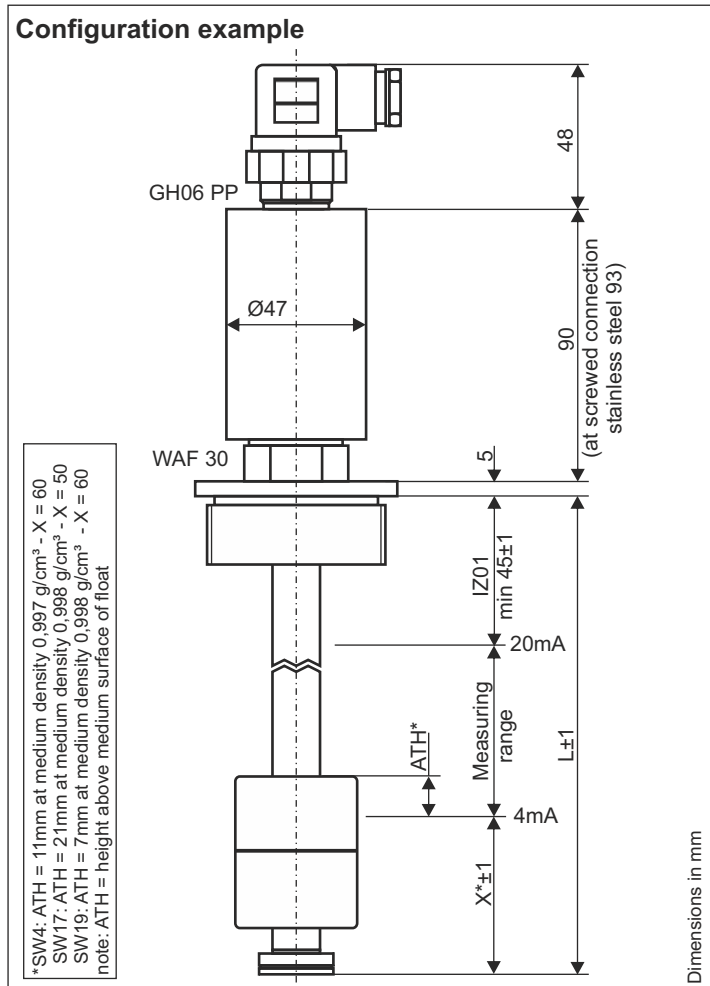
Hotline +49 (0)7389 90920 - eMail info@engler-msr.de

Data sheet

Magnetostrictive level measurement

Type: NAMW- 40...

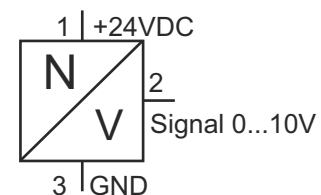
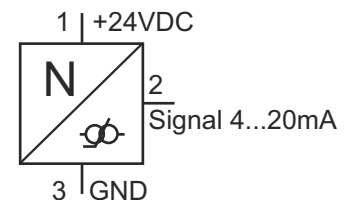
Continuous level measurement / level recognition of fluids.
Based on position specification by a magnetic float and a sensor according to the magnetostrictive system.



- Resolution 0.1mm
- Linearity <±0.03% FS
- Repeatability < ±0.001% FS
- Simple installation and initiation
- Analogue signal optional 0..10V or 4..20mA

Further types for simultaneous measurement of level and temperature are available.
Please contact us.

Terminal diagram



Technical data

Housing (GHxx):	ø47x78mm, material PP ø47x78mm, material alu or stainless steel
Connection (ASxx):	plug-type connector M12x1 4-pole, material TPU right-angled connector 3-pole + PE DIN EN 175301-803 (DIN 43650), material PA
Mounting (BExx):	thread 1½" and 2", material PP thread 1½" and 2", material PVDF thread 1½" and 2", material stainless steel round flange ø120mm, PCD 100mm, 4x D8mm, material alu, seal material NBR
Tube (RHxx):	ø16mm material PP or PVDF ø12mm material stainless steel
Float (SWxx):	ø41x50mm, material PP, type S17 ø41x50mm, material PVDF, type S19 ø45x52mm, material stainless steel, type S4
Resolution:	0.1mm
Function:	analogue level transmitter, magnetostrictive
Signal output (Slxx):	4...20mA or 0...10V
Power supply:	24VDC ±15%, reverse polarity protected
Pressure:	max. 1 bar
Operating temperature:	material PP: -20°C to 75°C in medium, -20°C to 70°C above mounting material PVDF: -20°C to 75°C in medium, -20°C to 70°C above mounting material stainless steel: -20°C to 75°C in medium, -20°C to 70°C above mounting
Protection rating:	IP 65

Data sheet

Magnetostrictive level measurement

Type: NAMW- 40...

Order key

NAMW-40.GHxx.ASxx.BExx.RHxx=xxxx.IZ01=xxx.SWxx.Slxx

