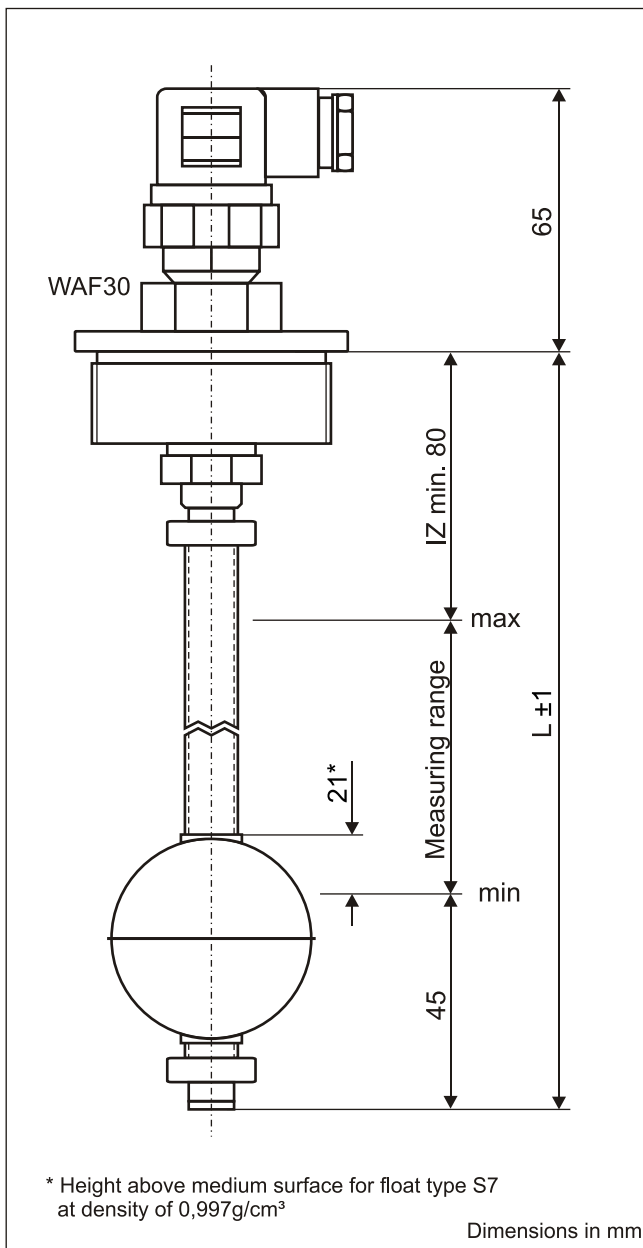


Data sheet

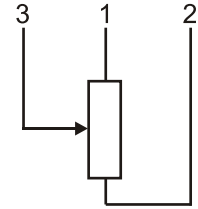
Analogue level measurement with coated tube

Type: ANM-20...



Terminal diagram

Passive -
without measuring
transducer,
potentiometer function
ANM-20



Order key

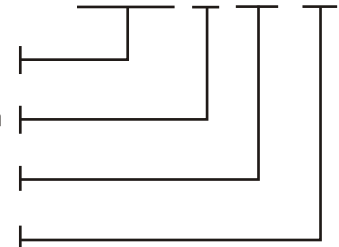
Example: ANM-20. 80. 200 . 2,5

Type

Inactive zone (IZ) e.g. 80mm

Length L of tube

Resolution



Technical data

Connection:	plug-type connector 3-pole + PE DIN EN 175301-803 (DIN 43650), material PA
Mounting:	thread 2", material PP
Seal:	O-ring, material EPDM
Tube:	ø12mm, length $L \pm 1$ mm, acc. to customer specification, material stainless steel 1.4571 coated with PTFE-sleeve
Float:	ø52mm, material stainless steel 1.4571, type S7
Resolution:	2,54mm / 5,08mm reed chain on customer specification
Output:	potentiometer function
Inactive zone:	IZ accord. to customer specification, min. 80mm
Measuring range:	measuring range = length - IZ - 45mm
Pressure:	atmospheric
Operating temperature:	-20 to 80°C in medium, -20°C to 70°C above mounting
Protection rating:	IP 65

Analogue level measuring

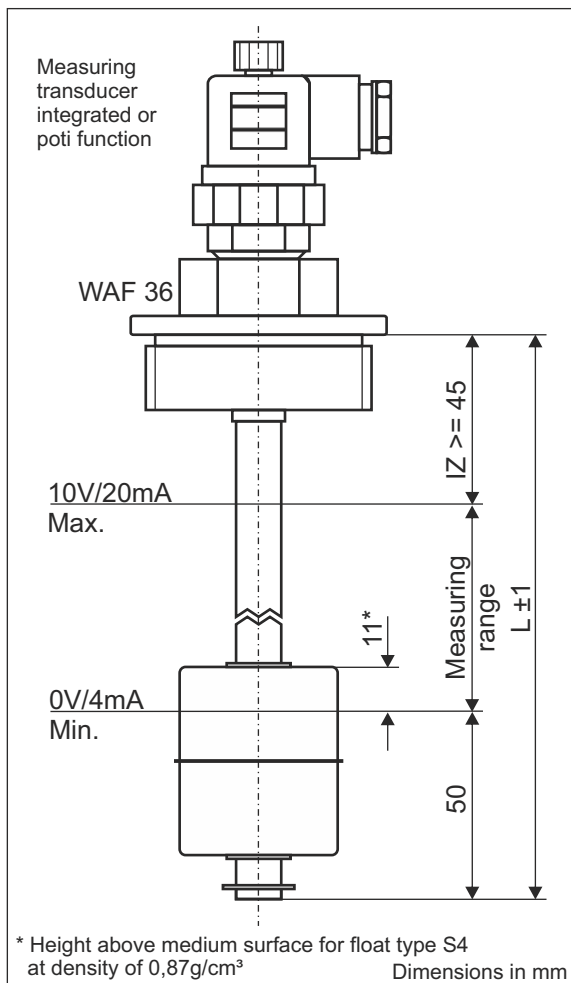
Type: ANM-240... Potentiometer function

ANM-241... 4 ... 20mA

ANM-242... 0 ... 10V

ANM-243... 3 wire for measuring transducer

- All liquid contacting parts are made of stainless steel
- Signal outputs 4...20mA; 0...10V; potentiometer function; 3-wire for measuring transducer SAP
- Measuring system reed chain, resolution 2,54mm, 5,08mm or 5,0mm possible
- Measuring lengths as per customer's indication



Terminal diagram

Active - with measuring transducer
4-20mA or 0-10V

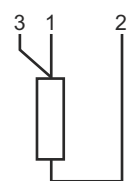
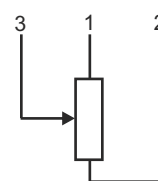
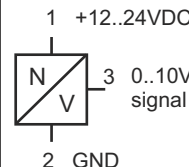
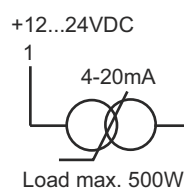
Passive - without measuring transducer

ANM-241
4...20mA

ANM-242
0...10V

ANM-240
potentiometer function
min.-max.

ANM-243
3-wire for SAP
min.-max.



Order key

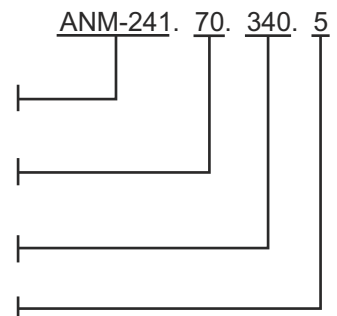
Example:

Type: ANM-240-;241-;242-;243-

Inactive zone (IZ) e.g. 70mm

Length L in mm e.g.: 340mm

Resolution: 2,5, 5,08 or 5,0mm



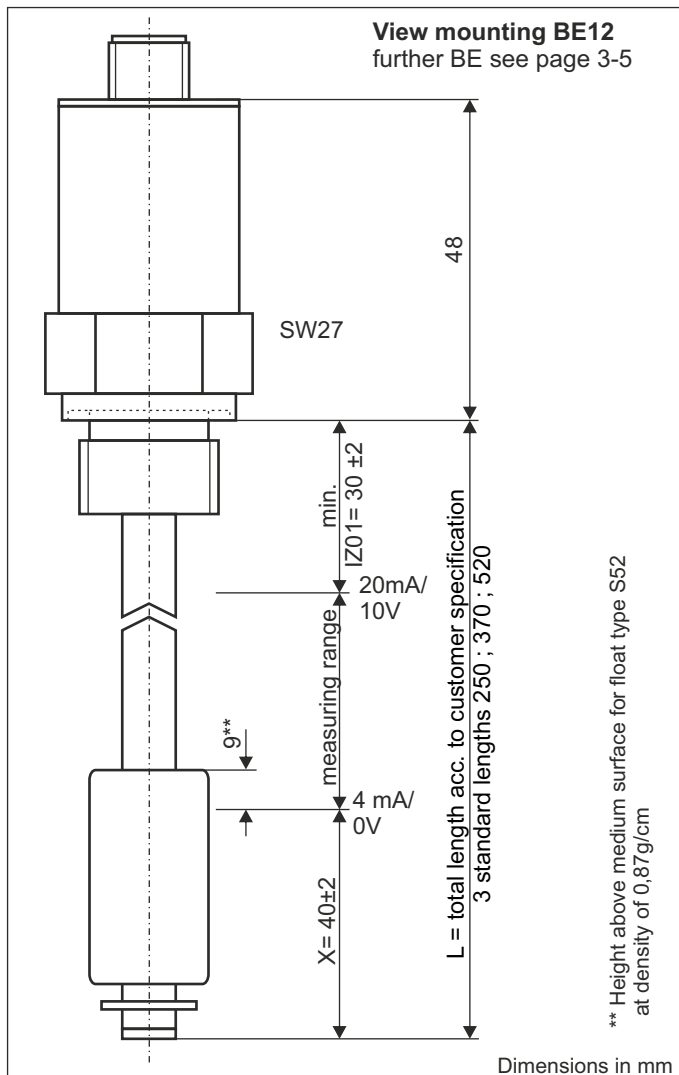
Technical data

Connection:	3-pol plug-type connector DIN EN 75301-803 with knurled head screw, material PA
Mounting:	2" thread, material stainless steel
O-Ring:	material viton
Tube:	ø12mm, material stainless steel, length L ± 1mm acc. to customer's specification
Float:	ø45x52mm, material stainless steel, type S4
Measuring system:	reed chain, resolution 2,54mm, 5,08mm or 5,0mm
Output measuring range:	potentiometer function type ANM-240, 4...20mA type ANM-241 0...10V type ANM-242, 3-wire for measuring transducer SAP type ANM-243 measuring range = L - IZ - 50mm measuring transducer is integrated with ANM-241 and ANM-242
Supply voltage:	12...24VDC ± 15%, reverse polarity protected (for type ANM-201 and ANM-202)
Inactive zone:	IZ according to customer's specification, min. 45mm
Pressure:	max. 25 bar
Operating temperature:	-20°C to 100°C in medium, -20°C to 70°C above mounting
Protection rating:	IP65

Data sheet

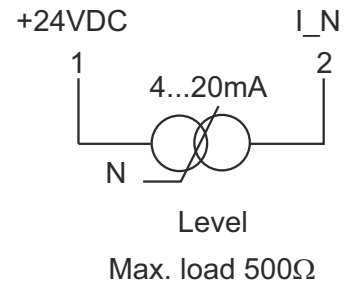
Analogue level measurement

Type: ANM-55...

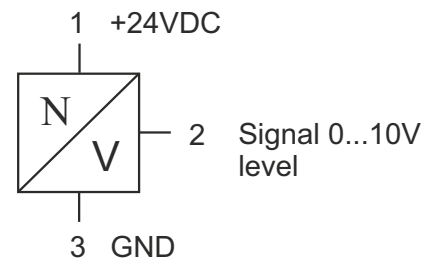


Terminal diagram

SI02



SI01



Technical data

Connection:	plug-type connector M12x1 4-pole without connector socket, material TPU on housing $\varnothing 27$, material see order key,
Mounting:	see order key
Tube:	$\varnothing 12\text{mm}$ or $\varnothing 8\text{mm}$, length acc. to customer specification, material brass or stainless steel
Float:	$\varnothing 17,8 \times 32\text{mm}$, material NBR, type S52 $\varnothing 27 \times 31\text{mm}$, material stainless steel, type S12 $\varnothing 35 \times 40\text{mm}$, material PP, type S1 $\varnothing 45 \times 52\text{mm}$, material stainless steel 1.4571, type S4
Resolution:	2,5; 5 or 10mm reed chain
Measuring range level:	4...20mA over a length of L - IZ01 - X = measuring range in mm, see page 3-5 0...10V over a length of L - IZ01 - X = measuring range in mm, see page 3-5
Load:	max. 500 Ohm
Supply voltage:	24VDC $\pm 15\%$
Pressure:	atmospheric, 5bar for stainless steel design
Operating temperature:	float NBR/ stainless steel: -20°C to 100°C in medium; -20°C to 70°C above mounting float PP: -15°C to 80°C in medium; -20°C to 70°C above mounting
Protection rating:	IP 65

Data sheet

Analogue level measurement

Type: ANM-55...

Order key	AST-55.	GH11.	AS01.	BE12.	RH01=350.	IZ01=35.	SW52.	AL03.	SI01.	BT01
<i>Housing:</i> GH10 = Ø27 stainless steel GH11 = Ø27 alu										
<i>Connection:</i> AS01 = M12x1 4-pole										
<i>Mounting: see table 1</i> BE12 = 1/2" alu BE15 = 1/2" stainless steel BE51 = 1" alu BE49 = 1" stainless steel BE05 = 3/4" alu BE63 = 1 1/4" stainless steel BE29 = 1 1/2" alu BE42 = 1 1/2" stainless steel BE38 = 2" stainless steel BE03 = M20x1,5 alu BE53 = M22x1,5 alu BE54 = M24x1,5 alu BE39 = flange 80x50 PA										
<i>Tube: see table 1</i> RH01 = ø8mm brass RH02 = ø8mm stainless steel RH03 = ø12mm brass RH09 = ø12mm stainless steel total length L e.g.: 350mm										
<i>Inactive zone above:</i> IZ01 = e.g. 35mm										
<i>Float: see table 2</i> SW52 = float S52 SW12 = float S12 SW04 = float S4 SW01 = float S1										
<i>Resolution: see table 1</i> AL01 = resolution 2,5mm AL03 = resolution 5mm AL04 = resolution 10mm										
<i>Output:</i> SI01 = 0...10V SI02 = 4...20mA										
<i>Temperature class: see table 3</i> BT01 = -20°C...100°C BT03 = -15°C...80°C										

Table 1	Mounting BExx see page 3-5													Resolution ALxx		
Tube RHxx	BE12	BE15	BE51	BE49	BE03	BE39	BE05	BE29	BE42	BE63	BE38	BE54	BE53	AL01	AL03	AL04
RH01	✓	—	✓	—	✓	✓	✓	—	—	—	—	✓	✓	—	✓	—
RH02	—	✓	—	✓	—	✓	—	—	—	✓	—	—	—	—	✓	—
RH03	—	—	—	—	—	—	—	✓	—	—	—	—	—	✓	✓	✓
RH09	—	—	—	—	—	—	—	—	✓	✓	✓	—	—	✓	✓	✓

Table 2	Mounting BExx see page 3-5												
Float SWxx	BE12	BE15	BE51	BE49	BE03	BE39	BE05	BE29	BE42	BE63	BE38	BE54	BE53
SW52	✓	✓	✓	✓	✓	✓	✓	—	—	✓	—	✓	✓
SW12	—	—	✓	✓	—	✓	—	—	—	✓	—	—	—
SW04	—	—	—	—	—	—	—	✓	✓	—	✓	—	—
SW01	—	—	—	—	—	—	—	✓	✓	✓	✓	—	—

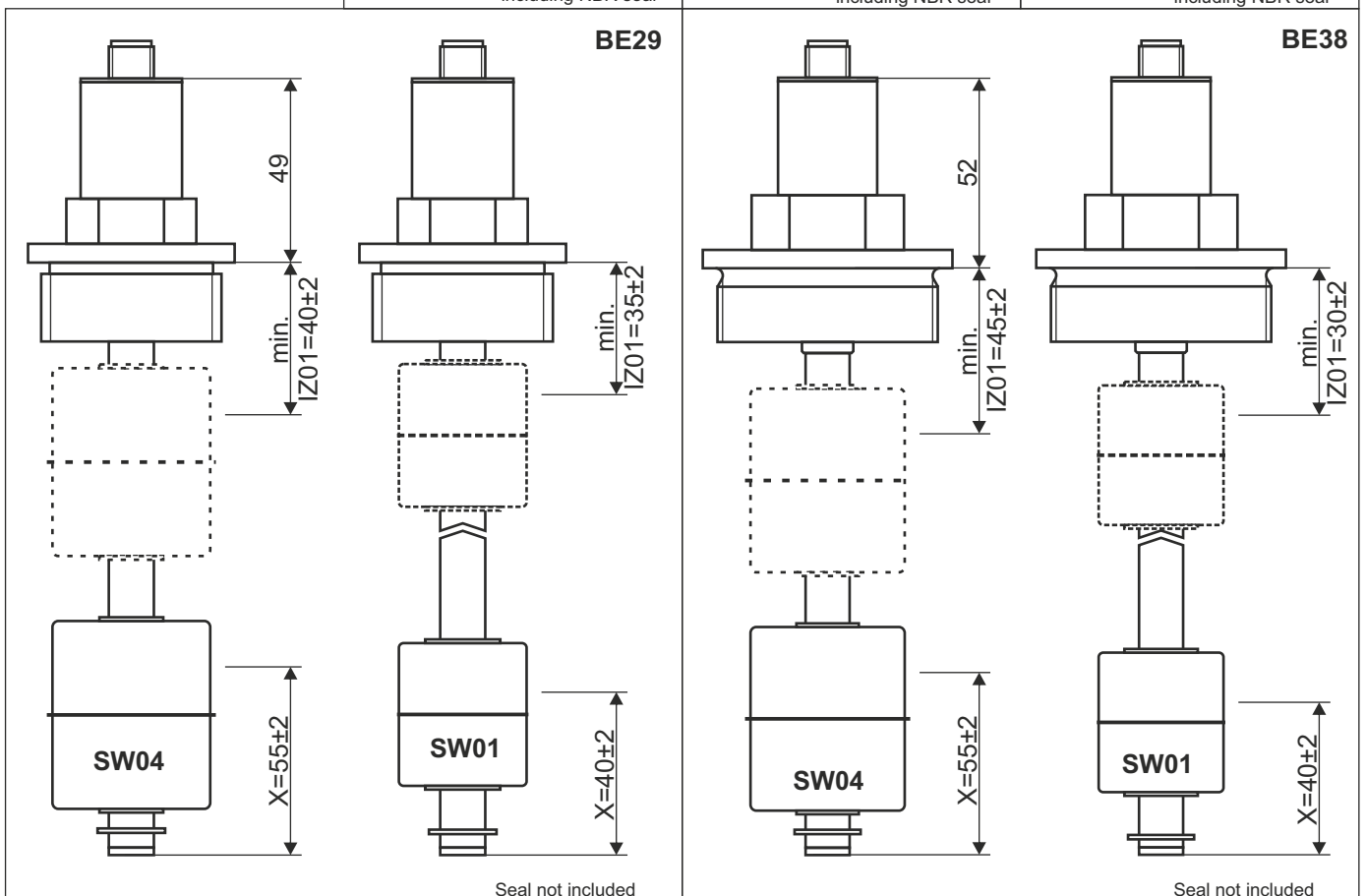
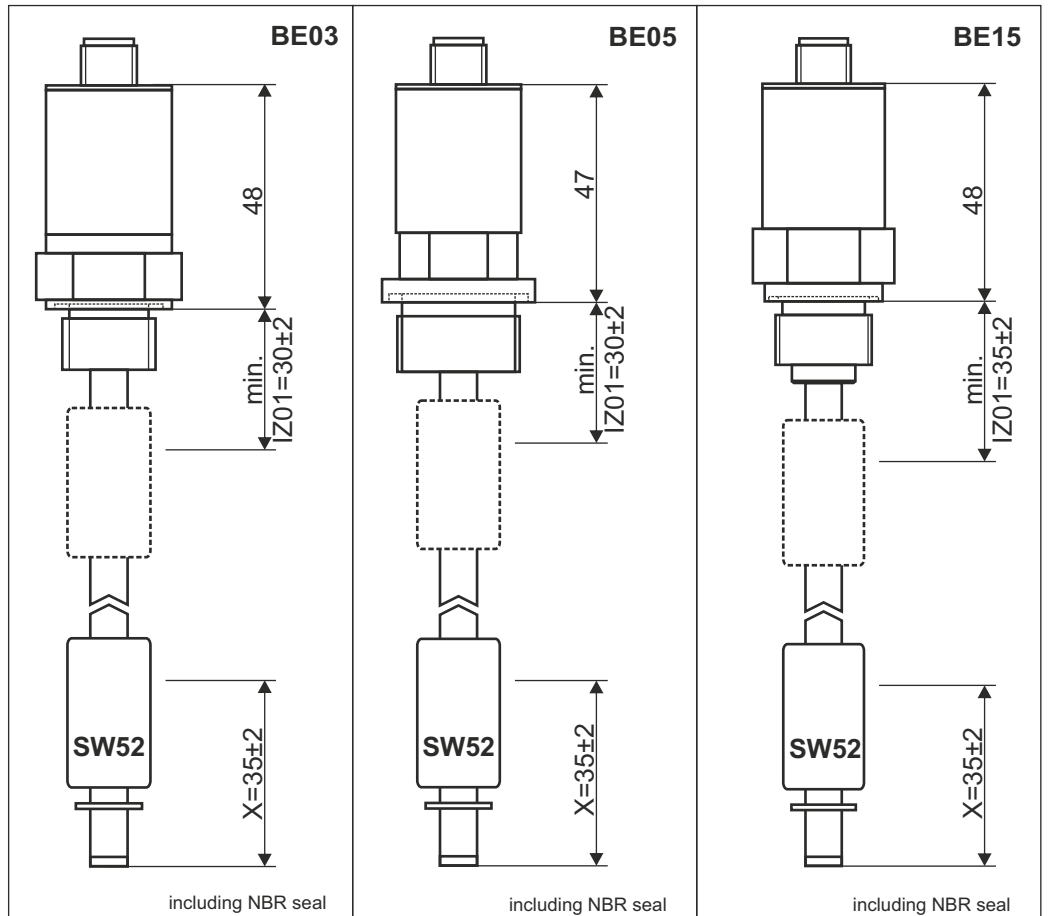
Further variants and material possible on request

Data sheet

Analogue level measurement

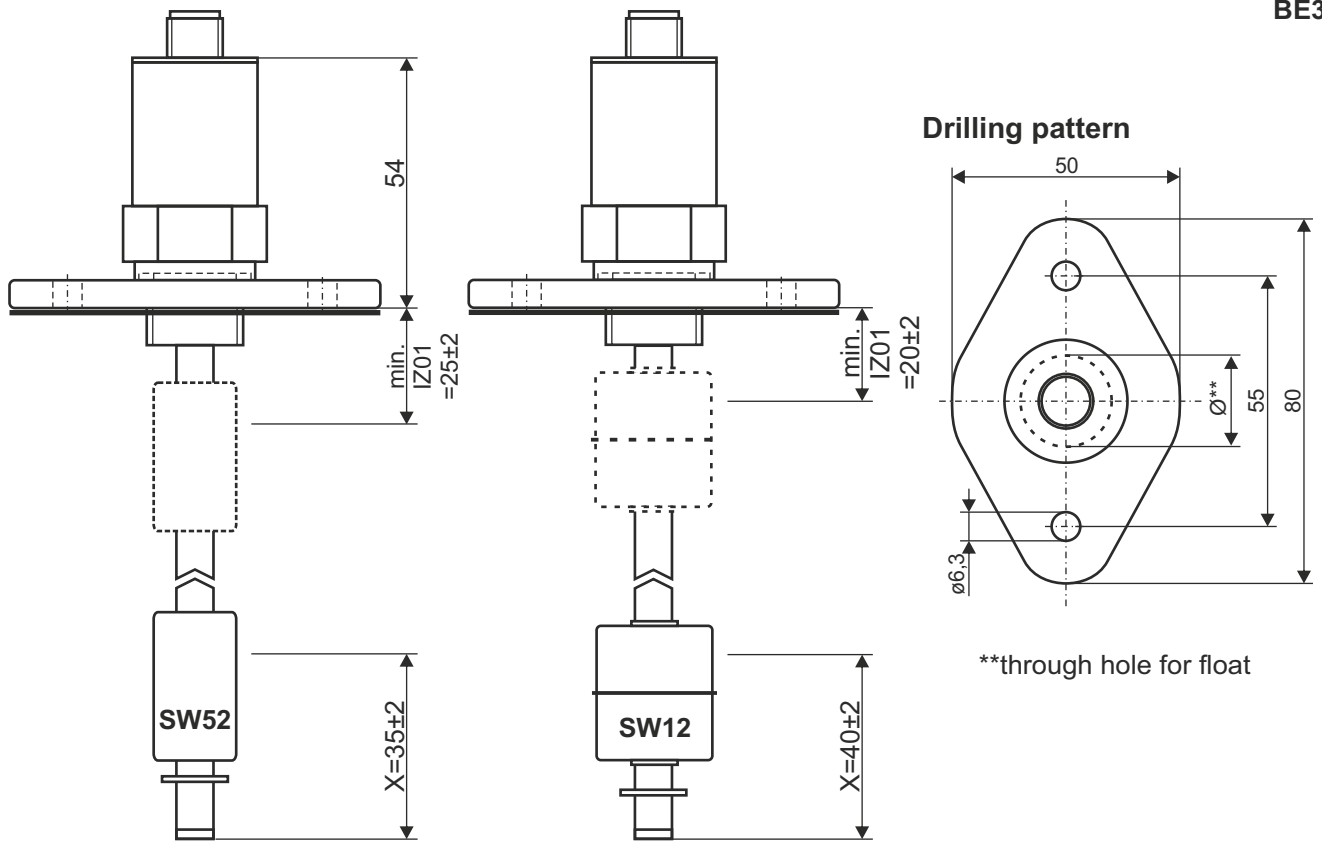
Type: ANM-55...

Table 3	Temperature class BTxx	
	BT01	BT03
Material	BT01	BT03
NBR	✓	—
stainless steel	✓	—
PP	—	✓



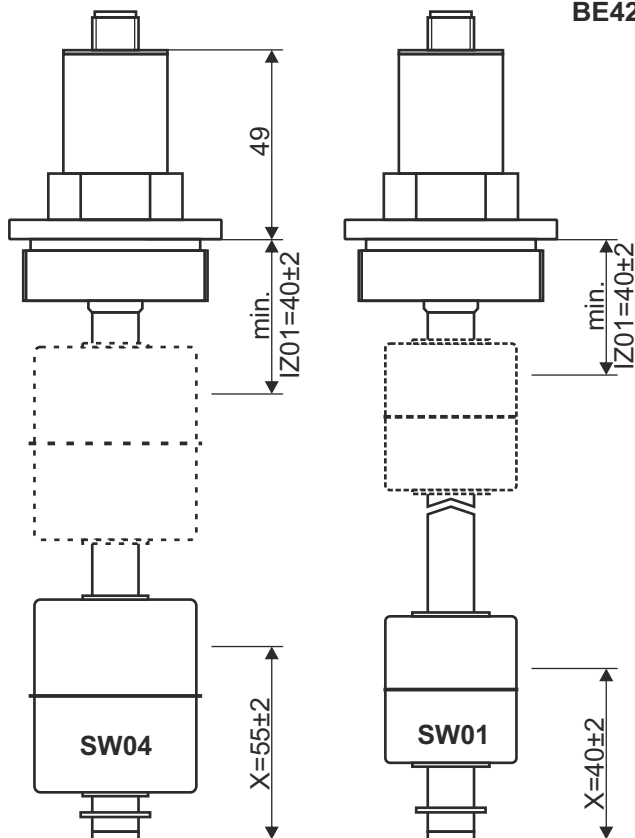
Data sheet
Analogue level measurement
Type: ANM-55...

BE39



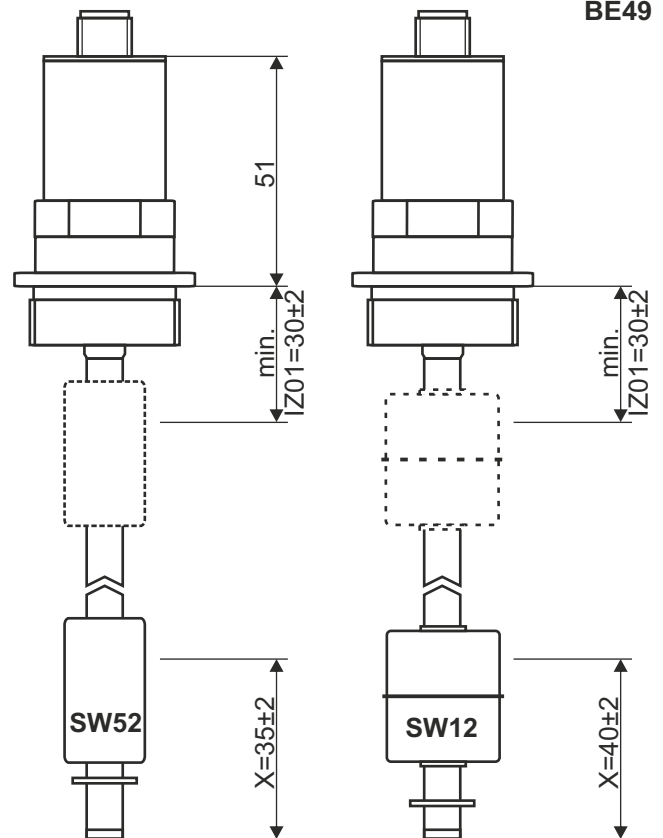
including NBR seal

BE42



Seal not included

BE49



Seal not included

Data sheet
Analogue level measurement
Type: ANM-55...

